

GEPA VI-36/VI-36k Voltage Indicator with Contact Output

1. General

GEPA VI-36 Series Voltage Indicator is used to indicate voltage presence at medium voltage (MV) network.

The device has voltage presence indication LED and test points for each phase on front panel. Indication LEDs illuminates with current from capacitive voltage insulator, so auxiliary supply is not required for indication. High LED illumination is achieved even with 10pF CVD at 36kV. According to EN 61243-5 (2005) standard chapter 4.2.; if network voltage is in range of $0.45U_n$ to $1.2U_n$ LED illuminates and contact trips*, if network voltage is less than $0.1U_n$ LED turns off and contact resets*. Test points are provided in front panel for measuring voltage presence. Operator should measure voltage with proper equipment in case of indication LEDs are failed. Test points voltage is limited to $15 V_{AC}$ for operator safety.

VI-36 model has Power LED on front panel to indicate auxiliary supply presence and a changeover contact output for various purposes.

*: VI-36k requires auxiliary supply for contact output.



- Read this document before montage and wiring.
- Make sure device is not energized before wiring.
- Do not touch terminals while device is energized.
- Montage and wiring must be done according to document by qualified person/people.
- Use dry cloth to clean. Do not use chemicals that may lead deformation or corrosion.
- Warranty is valid for 2 years from invoice date, batteries are excluded from warranty.
- Warranty will be violated under these conditions; unauthorized modifications, opening enclosure and removing warranty label.
- This device is intended for use in indoor and industrial environment.
- Manufacturer or sales company is not responsible of faults if user doesn't obey recommendations at the above.



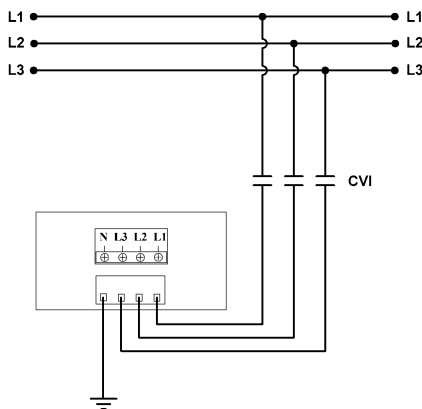
Contact with high voltage ($\geq 42.2V_{ACpeak}$ or $\geq 60 V_{DC}$) may cause electrical shock and injury.



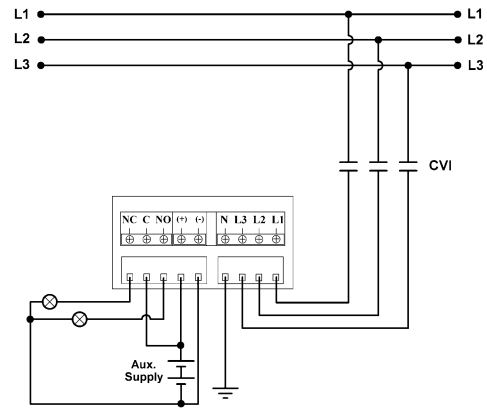
Consult us for recycling or disposal of the device and batteries according to WEEE directive.

2. Application Diagram

VI-36 Application Diagram



VI-36k Application Diagram



3. Technical Specifications

VI-36/VI-36k Common Specifications

Operating Voltage (U_n)	3 – 52 kV	
Threshold Voltage	Present	$> 0.45 U_n$
	Not Present	$< 0.1 U_n$
Operating Frequency	50 / 60 Hz	
Test Point Voltage	$\leq 15 V_{AC}$ (ELV)	
Operating Temperature	$(-25) - (+55) ^\circ C$	
Storage Temperature	$(-30) - (+60) ^\circ C$	
Relative Humidity	$< \%95$ RH (w/o condensation)	
Ingress Protection Degree	IP 20	

Other Specifications for VI-36k

Auxiliary Supply	24V	$18 - 31 V_{DC}$
	110V	$80 - 150 V_{DC}$
Power Consumption	$< 1 W_{max}$	
Alarm Output Contact	24V	1 CO contact, 2500VA, 10A/250V _{AC}
	110V	1 CO contact, 3000VA, 12A/250V _{AC}

4. Dimensions

